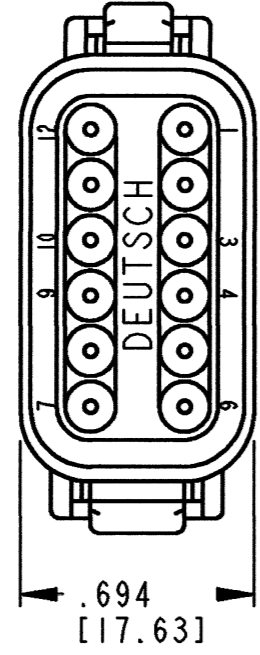
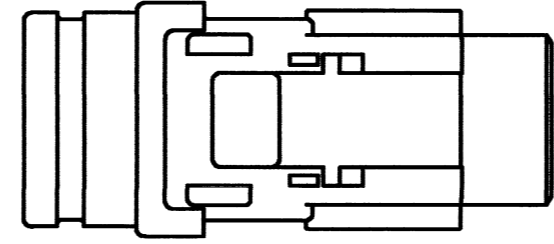
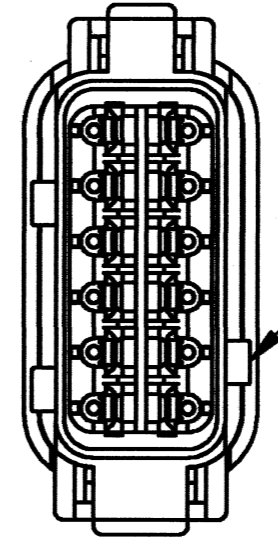
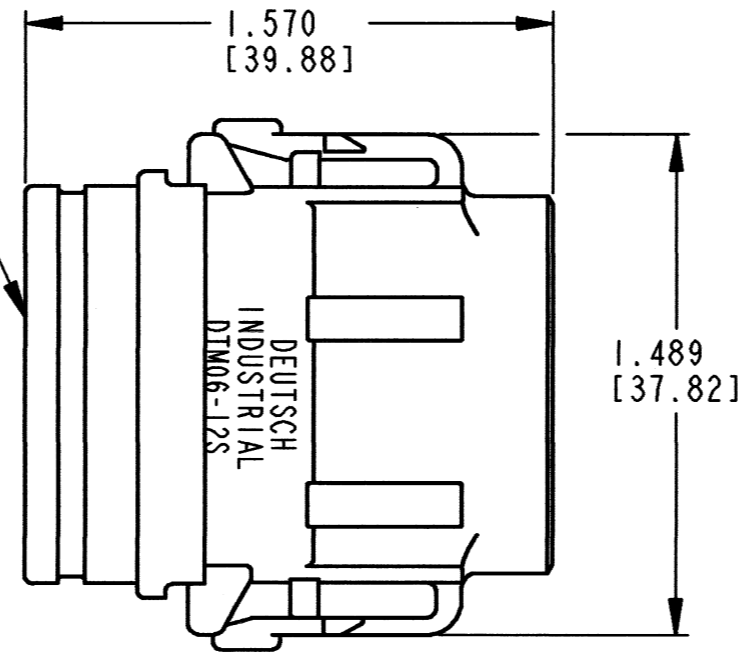


REV  
A DTM06-12S\* -E007

REVISIONS			
SYM	DESCRIPTION	DATE	APPROVED
NC	NEW RELEASE PER E.O. P17176	3/16/01	R.D.R.
A	REVISED PER E.O. P20575	9-24-10	KDR



8  
EXTENDED  
CAP



- 8. PART MODIFICATION.
  - 7. SEE SHEET 2 FOR OTHER KEY ARRANGEMENT.
  - 6. MATERIAL - HOUSING/EXTENDED CAP: PLASTIC; GROMMET: RUBBER.
  - 5. THIS PLUG MATES WITH DTM04-12P\*-\*\*\*\* RECEPTACLE.  
(\* = A,B,C,D KEYS; \*\*\*\* = ALL MODIFICATIONS)
  - 4. FOR CONTACT AND WIRE PERFORMANCE AND APPLICATION CHARACTERISTICS SEE ENVELOPE DRAWING 0425-015-0000.
  - 3. SECONDARY WEDGE LOCK SOLD SEPARATELY: WM-12S.
  - 2. DIMENSION TOLERANCE: ±.025 [.64].
  - 1. DIMENSIONS ARE IN INCHES [mm].
- NOTES: UNLESS OTHERWISE SPECIFIED

CONTACT SIZE	MIN. INSUL. O.D.	MAX. INSUL. O.D.	WIRE RANGE [mm <sup>2</sup> ] REF ONLY
20	.053 [1.35]	.120 [3.05]	16-20 AWG [1.0-0.5]

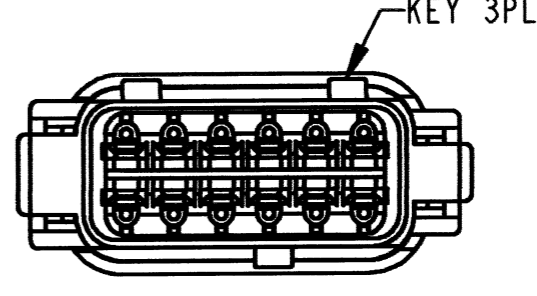
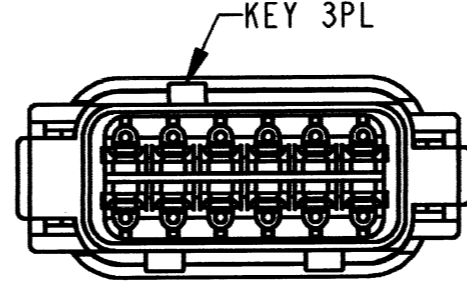
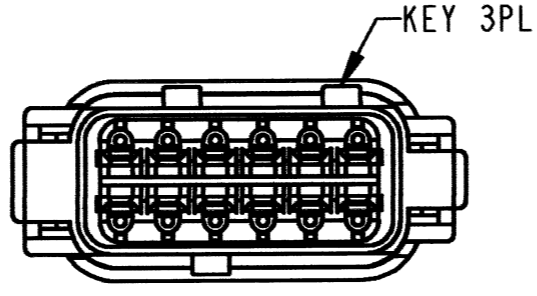
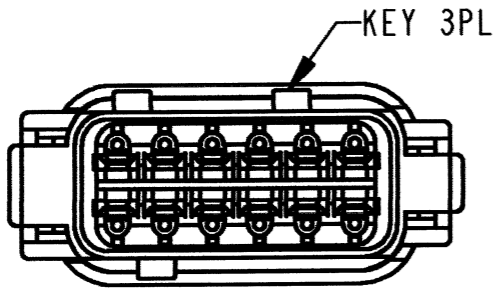
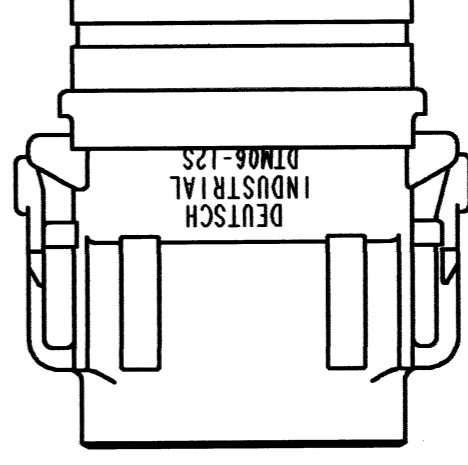
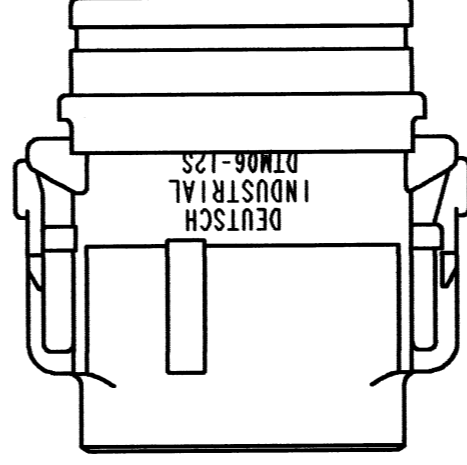
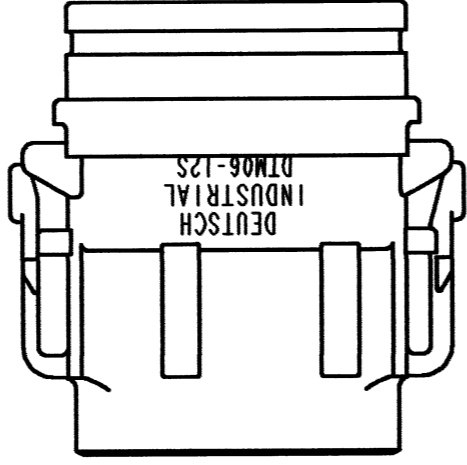
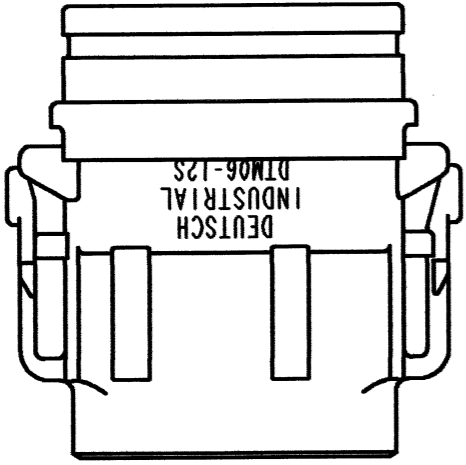
SIGNATURE & DATE	
DR	D. MEYER 03/09/01
CHK	B. Byford 9/20/2010
PE	R. Mulligan 8/3/10
APPD	S. Bevilacqua 8/5/10
SCALE	NONE WT _____

PLUG W/EXTENDED CAP  
12 CONTACTS, SIZE 20  
A,B,C,D KEYS  
-E007 MOD  
DTM SERIES

ENVELOPE

EP	MATL. CODE
3850 INDUSTRIAL AVE. HEMET, CA 92545 <b>DEUTSCH</b> INDUSTRIAL	
<b>B DTM06-12S*-E007</b>	
DWG SIZE	CODE 11139 SHEET 1 OF 2

REV A	DTM06-12S*-E007			REVISIONS		
	SYM	DESCRIPTION	DATE	APPROVED		
	A	SEE SHEET 1	9-24-10	RDR		



**DTM06-12SA-E007**  
KEY -A-  
COLOR: GREY

**DTM06-12SB-E007**  
KEY -B-  
COLOR: BLACK

**DTM06-12SC-E007**  
KEY -C-  
COLOR: GREEN

**DTM06-12SD-E007**  
KEY -D-  
COLOR: BROWN

NOTES:

SIGNATURE & DATE		PLUG W/EXTENDED CAP 12 CONTACTS, SIZE 20 A, B, C, D KEYS -E007 MOD DTM SERIES	EP	MATL. CODE
DR	D. MEYER 03/09/01		3850 INDUSTRIAL AVE. HEMET, CA 92545	
CHK	<i>B. Johnson</i> 9/20/2010		<b>DEUTSCH</b> INDUSTRIAL	
PE	<i>R. Milligan</i> 9/2/10		<b>B</b>	<b>DTM06-12S*-E007</b>
APPD	<i>S. Beaulieu</i> 9-2-10		DWG SIZE	CODE 11139
SCALE	NONE	WT		SHEET 2 OF 2

ENVELOPE